



E-Series Fisheye



Product overview

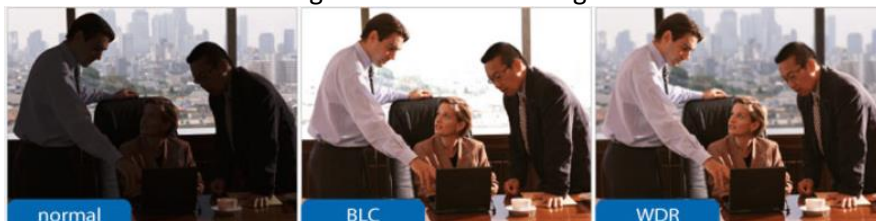
The Newbridge E Series Fisheye IP Camera is a most affordable Full HD specifically design for indoor, day and night color recording with smart functionality, such as motion detection, Near Infrared light (NIR) with up to 30 frame /s at 3000 x 3000 video stream resolution (only 12MP Camera model). With various choice, 2 megapixels, 4 megapixels and 12 megapixels recording and give real live times viewing.

Powered by **Exmor**, Sony's high performance CMOS image sensor with high-speed processing, low noise and low power dissipation by using column parallel A/D conversion. Increase sensitivity in the near infrared range as well as the visible light range. This makes it possible to obtain clear images that enable to sufficiently discriminate subjects even under moonlit conditions.

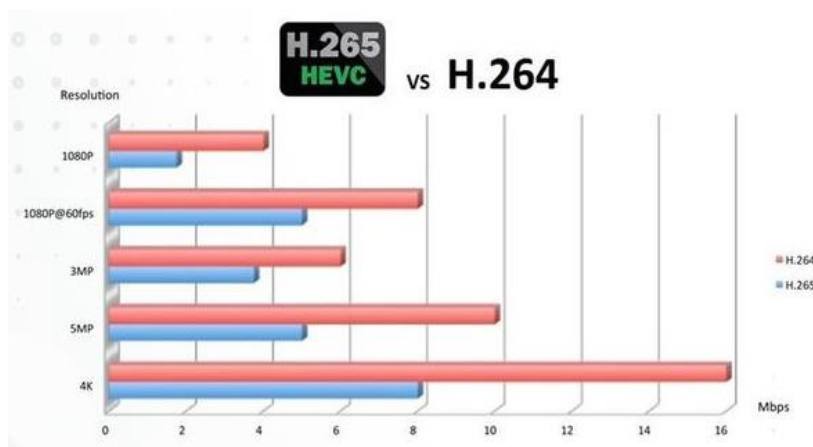
** Exmor is a trademark of Sony Corporation only apply for model E-F4F020W3-L and E-F12F020W3-L*

Key features and benefits:

- **120dB WDR** allow clear images to be seen in light and dark areas simultaneously – rather than over exposing or under exposing various areas of scene. The following shown the WDR images.



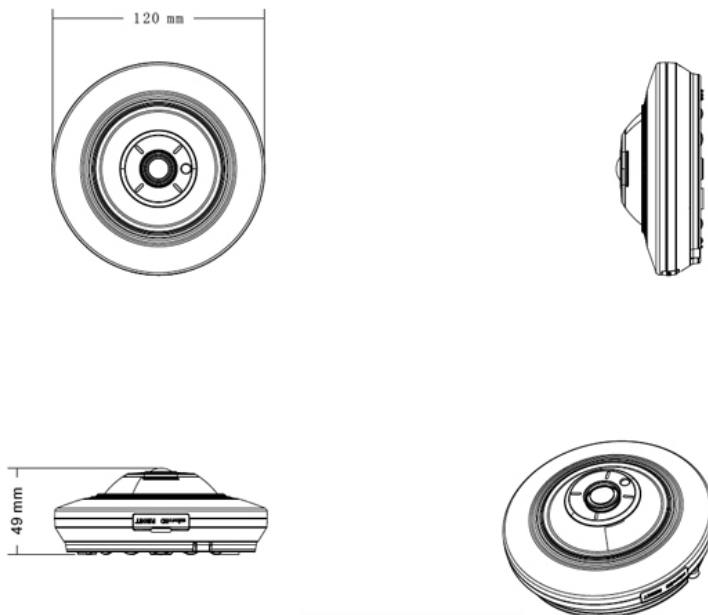
- **H.265** compression allow further reduce the network bandwidth consumptions in transmission and take up less storage space.



- **Near-Infrared (NIR)** improve picture quality at low illumination, provide clear images even in darkness.
- **Infrared range** up to 20 meter
- Up to **30fps frame rate****
- **3D NR (Noise Reduction)**
- **Triple Stream video****
- **Defog, Private Mask and BLC****
- **ONVIF open standard compatible.**
- 10/100Base-T RJ 45 port with IEEE802.3af Power over Ethernet
- 2-way audio I/O and Alarm I/O
- Edge Storage up to 64 GB Micro SD (options)
- Weather proof and vandal resistant

*** model E-F4F020W3-L and E-F12F020W3-L*

Dimensions:



Specifications

Newbridge Camera	E-F2F020W3-L	E-F4F020W3-L	E-F12F020W3-L
Camera			
Sensor	1/3", Aptina Low Illumination CMOS Sensor	1/2.9", Sony Low Illumination CMOS Sensor	1/1.7", Sony Low Illumination CMOS Sensor
Resolution	2 Mega-pixel	4 Mega-pixel	12 Mega-pixel
Frame Rate/second	1520p @ 25 fps	1520p @ 20fps	3000p @ 30 fps
Lens	1.05 mm	1.05 mm	1.77 mm
Angle of View (H)	180°	200°	225°
Shutter	Auto: PAL 1/25-1/10000Sec; NTSC 1/25-1/10000Sec		
Infrared distance	20 meter		
Day/Night	IR-cut filter with auto switch (ICR)		
S/N	>52 dB		
Wide Dynamic Range	DWDR	WDR	WDR

Newbridge Camera	E-F2F020W3-L	E-F4F020W3-L	E-F12F020W3-L
Video			
Max. Resolution	1080p	4M	12M
Video Compression	H.264	H.265	H.265
Frame Rate	1520p @ 25 fps	1520p @ 20fps	3000 @ 30 fps
Video Streaming	Dual	Triple	Triple
Defog Mode	-	Support	Support
BLC	-	Support	Support
Privacy Mask	Support	Support	Support
Smart			
Behavior Detection	Motion detection		
Audio			
Audio Compression	G.711		
Two-way audio	Supported		
Network			
Protocols	TCP/IP, ICMP, HTTP, HTTPS, FTP, DHCP, DNS, DDNS, RTP, RTSP, RTCP, NTP, SMTP		
Compatible Integration	ONVIF, API		
Interface			
Audio I/O	2-way audio interface		
Alarm	1 input/ 1 output		
Edge Storage	Optional, up to 64GB SD card		
Network	10M/100M Base-TX Ethernet, POE (IEEE802.3af)		
General			
Housing	Metal		
Power	DC12V±10%, 950mA		
Power	Power consumption: Max 10W		
Dimensions (Ø x H)	Φ 120 x 49(H) mm		
Weight	0.5 kg (1.10 lb)		
Working Environment	-20°C ~ +60°C (-4°F ~ 140°F), Humidity ≤ 95% RH(non-condensing)		
Ingress Protection	IP67		
Vandal Resistant	IK10		