



E-NVR3602-L



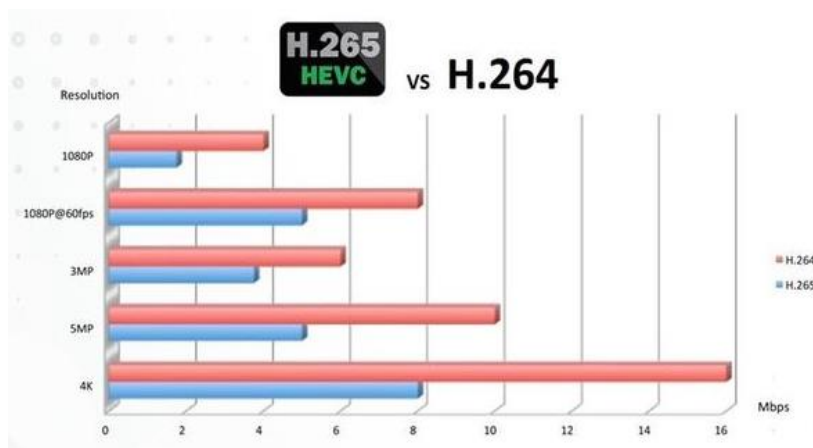
Product overview

The Newbridge E-NVR3602 is a 36 channels Network Video Recorder, support H.265 up to 36 IP cameras with bandwidth 300 Mbps, 12 TB HDD Capacity

Key features and benefits:

- 36-channel input
- ONVIF standard compatible.
- Mega Pixels (4K, 2K, FHD, HD)
- Support 1-ch HDMI, 1-ch VGA
- Up to 12 Megapixel resolution recording.
- 2-SATA HDD slots
- 300 Mbps video input

- **H.265** compression allow further reduce the network bandwidth consumptions in transmission and take up less storage space.

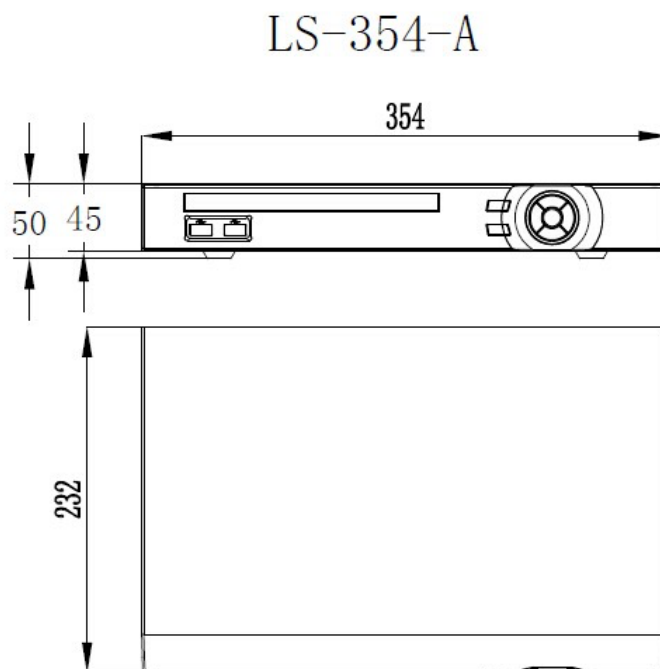


Specifications

Newbridge NVR	E-NVR3602-L
Video	
Video Input	36 channels, up to 36 IP Cameras
Video Output	1-port VGA, 1-port HDMI, both support identical no. of channels and resolutions.
Audio	
Audio Input	1-port RCA
Audio Output	1-port RCA
Alarm	
Motion Detection	36 channels, up to 36 IP Cameras
Email Alarm	Support
Display	
VGA	Resolution: 1920×1080/1280×1024/1280×720
HDMI	Resolution:4K 3840×2160/1920×1080/1280×1024/1280×720
Display	36CHxD1/25CHxD1/16CHxD1/9CHxD1/4CHxD1/1CHx1080P/1CHx3MP/1CHx4MP/1CHx5MP/1CHx4k
Digital Zoom	Yes
OSD	Camera Title, Time, Video Loss, Recording, Motion Detection

Newbridge NVR	E-NVR3602-L
Recording	
Video Compression	H.264/H.265
Resolution	4k(4096×2160),5MP(2592×1944),4MP(2688×1520),3MP(2048×1536),1080P(1920×1080),960P(1280×960),720P(1280×720),D1 (704×576/704×480)
Record Rate	PAL :4k@30×25fp,5MP@36×25fp,4MP@36×25fp,3MP@36×25fp,1080P@36×25fp, 960P@36×25fp,720P@36×25fp, D1@36×25fp NTSC: 4k@30×30fp,5MP@36×30fp,4MP@36×30fp,3MP@36×30fp,1080P@36×30fp, 960P@36×30fp, 720P@36×30fp, D1@36×30fp
Record Mode	Manual\Timer\Motion Detection
Playback and Backup	
Local Sync Playback	4 channel x 4k
Remote Sync Playback	Support
Search Mode	All, Channel, Manual, Time, Date, Motion Detection
Playback Functions	Play, Pause, Stop, Rewind, Fast Play, Slow Play, Digital Zoom
Backup Mode	USB Device/Network
Network	
Interface	1 RJ45 10M/100/1000M Adaptive Ethernet Interface
Network Functions	HTTP, TCP/IP, IPv4, UPNP, RTSP, UDP, SMTP, NTP, DHCP, DNS, DDNS, FTP, IP Search, P2P
Web Browser	IE6-11, Google Chrome (IE Tab), Firefox (IE Tab)
CMS Software	Support Windows 7/ Windows 8/Windows 10
Cloud Support(P2P)	Support
Smart Phone	iPhone, iPad, Android, Android Pad
Compatible Integration	ONVIF, API
Storage	
Interface	2-SATA Slots
Capacity	up to 12 TB
General	
USB Interface	2 USB 2.0 Interfaces ,1 USB 3.0 Interface
Power Supply	DC12V/4A
Operating Temperature	-10~55°C/10~90%
Dimension(W×D×H)	354mm×263mm×50mm
Weight	3.5KG (without HDD)

Dimensions



Rear Panel

