



E-D4F020W3-L



Product overview



The Newbridge E Series DOME IP Camera is a most affordable 4 Megapixel High Resolution Full HD specifically design for indoor, day and night color recording with smart functionality, such as motion detection, excellent low-light sensitivity and High Dynamic Range with up to 30 frame /s at 1296p, more than Full HD recording and give real live times viewing.



Powered by OmniVision’s high performance 4 Megapixel CMOS image sensor with high-speed processing, low noise and low power dissipation. Increase sensitivity in the near infrared range as well as the visible light range. This makes it possible to obtain clear images that enable to sufficiently discriminate subjects even under moonlit conditions.

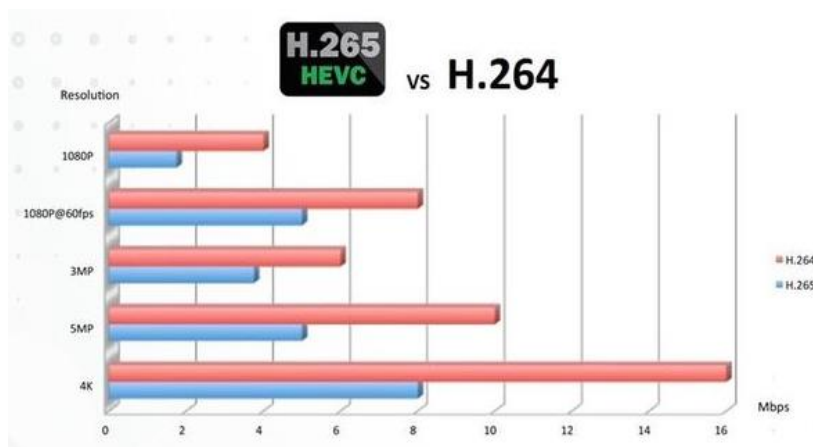


Key features and benefits:

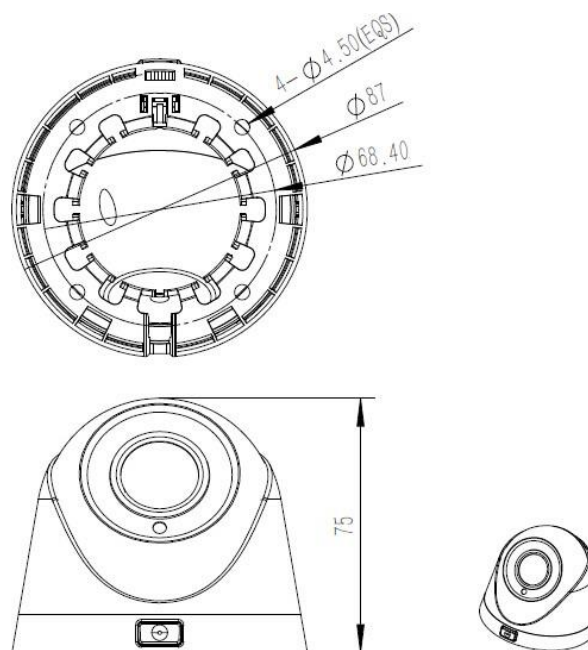
- **120dB WDR** allow clear images to be seen in light and dark areas simultaneously – rather than over exposing or under exposing various areas of scene. The following shown the WDR images.



- **H.265** compression allow further reduce the network bandwidth consumptions in transmission and take up less storage space.



- **Infrared range** up to 20 meter
- 1296P up to **30fps frame rate**
- **3D NR (Noise Reduction)**
- **Triple Stream video**
- **Defog, ROI and BLC**
- **ONVIF open standard compatible.**
- **High Dynamic Range**
- Fixed lens, 2.8mm/3.6mm/6.0 mm options
- 10/100Base-T RJ 45 port with IEEE802.3af Power over Ethernet
- Audio I/O options.
- IP67 rated weather proof

Dimensions:**Specifications**

Newbridge Camera	E-D4F020W3-L28	E-D4F020W3-L36	E-D4F020W3-L60
Camera			
Sensor	1/3", OV Low Illumination CMOS Sensor		
Resolution	4 Mega-pixel		
Frame Rate/second	1296P > FHD up to 30 frame/s		
Lens	2.8 mm	3.6 mm	6 mm
Angle of View (H)	95°	77°	46°
Shutter	Auto: PAL 1/25-1/10000Sec; NTSC 1/25-1/10000Sec		
Min. Illumination	0 Lux with IR		
Day/Night	IR-cut filter with auto switch (ICR)		
S/N	>52 dB		
WDR	Optical WDR (up to 120dB)		

Newbridge Camera	E-D2F020W3-L28	E-D2F020W3-L36	E-D2F020W3-L60
Video			
Max. Resolution	2560 × 1440		
Video Compression	H.265, H.264, MJPEG		
Frame Rate	2560 x 1440, max 20fps, 1296P (2304x 1296)/1080P (1920×1080): Max. 30 fps; 720P (1280×720): Max. 30 fps; D1 (720×576): Max. 8 fps		
Video Streaming	Triple		
Corridor mode	Support		
Defog Mode	Support		
BLC	Supported		
Privacy Mask	Supported		
Smart			
Behavior Detection	Motion detection		
Audio			
Audio Compression	G.711		
Network			
Protocols	TCP/IP, ICMP, HTTP, HTTPS, FTP, DHCP, DNS, DDNS, RTP, RTSP, RTCP, NTP, SMTP		
Compatible Integration	ONVIF, API		
Interface			
Audio I/O	Optional		
Edge Storage	Optional, up to 64GB SD card		
Network	10M/100M Base-TX Ethernet, POE (IEEE802.3af)		
General			
Housing	Metal		
Power	DC12V±10%, 850mA		
Power	Power consumption: Max 5.5W		
Dimensions (Ø x H)	87(W) x 75(H) x 87(D)mm		
Weight	0.4 kg (0.88 lb)		
Working Environment	-20°C ~ +60°C (-4°F ~ 140°F), Humidity ≤ 95% RH(non-condensing)		
Ingress Protection	IP67		



© Copyright 2012–2017 Newbridge Technology Int. Ltd. The information contained herein is subject to change without notice. The only warranties for Newbridge Technology products and services are set forth in the express warranty statements accompanying such products and services. Nothing herein should be construed as constituting an additional warranty. Newbridge Technology shall not be liable for technical or editorial errors or omissions contained herein.