



E-D2M4X030W3-L



Product overview

The Newbridge E-Series DOME 2M4X IP Camera is a Motorized 4x optical zooming auto focus. Most affordable Full HD specifically design for indoor, day and night color recording with smart functionality, such as motion detection, Near Infrared light (NIR) with up to 30 frame /s at 1080p Full HD recording and give real live times viewing.

Powered by **Starvis**, Sony's high performance CMOS image sensor with high-speed processing, low noise and low power dissipation by using column parallel A/D conversion. Increase sensitivity in the near infrared range as well as the visible light range. This makes it possible to obtain clear images that enable to sufficiently discriminate subjects even under moonlit conditions.

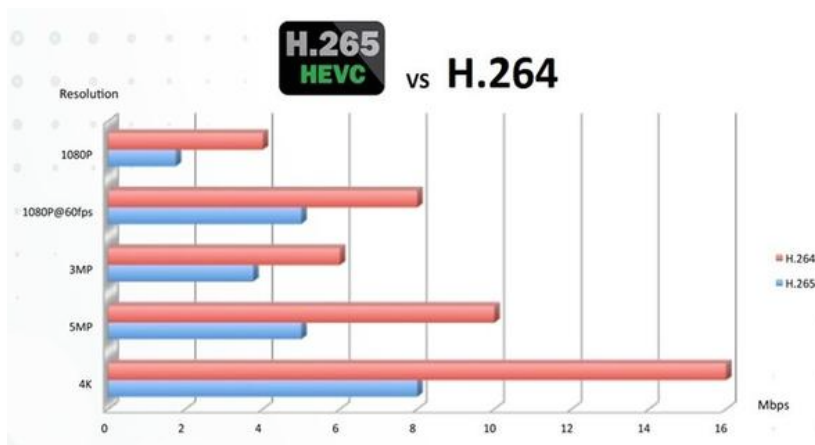
**Starvis & Exmor is a trademark of Sony Corporation*

Key features and benefits:

- **120dB WDR** allow clear images to be seen in light and dark areas simultaneously – rather than over exposing or under exposing various areas of scene. The following shown the WDR images.

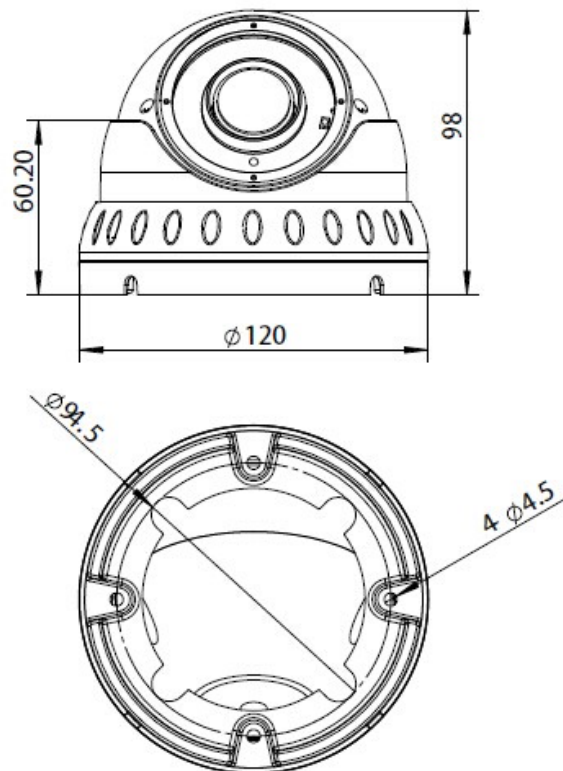


- **H.265** compression allow further reduce the network bandwidth consumptions in transmission and take up less storage space.



- **Near-Infrared (NIR)** improve picture quality at low illumination, provide clear images even in darkness.
- **Infrared range** up to 30 meter
- **HDR** (High Dynamic Range)
- 1080P up to **30fps frame rate**
- **3D NR (Noise Reduction)**
- **Triple Stream video**
- **Defog, ROI and BLC**
- **ONVIF open standard compatible.**
- Motorized Len, 2.8mm-12mm
- 10/100Base-T RJ 45 port with IEEE802.3af Power over Ethernet
- IP67 rated weather proof
- IK10 vandal resistant

Dimensions:



Specifications

Newbridge Camera	E-D2M4X030W-L
Camera	
Sensor	1/2.9", SONY Low Illumination CMOS Sensor
Resolution	2 Mega-pixel
Frame Rate/second	1080p FHD up to 30 frame/s
Lens	2.8 mm – 12mm
Angle of View (H)	105°-33°
Shutter	Auto: PAL 1/25-1/10000Sec; NTSC 1/25-1/10000Sec
	Colour: 0.02 Lux (F2.0, AGC ON)
Min. Illumination	0 Lux with IR
Day/Night	IR-cut filter with auto switch (ICR)
S/N	>52 dB
WDR	Optical WDR (up to 120dB)

Newbridge Camera	E-D2M4X030W-L
Video	
Max. Resolution	1920 × 1080
Video Compression	H.265, H.264, MJPEG
Frame Rate	1080P (1920×1080): Max. 30 fps; 720P (1280×720): Max. 30 fps; D1 (720×576): Max. 8 fps
Video Streaming	Triple
ROI	Supported
BLC	Supported
Privacy Mask	Supported
Smart	
Behavior Detection	Motion detection
Network	
Protocols	L2TP, IPv4, IGMP, ICMP, ARP, TCP, UDP, DHCP, PPPoE, RTP, RTSP, RTCP, DNS, DDNS, NTP, FTP, UPnP, HTTP, HTTPS, SMTP, 802.1x
Compatible Integration	ONVIF, API
Interface	
Audio	Optional
Network	10M/100M Base-TX Ethernet, POE (IEEE802.3af)
General	
Housing	Metal
Power	DC12V±10%, 1100 mA
Power	Power consumption: Max 10.5W
Dimensions (Ø x H)	Φ 131 x 93 (H) mm
Weight	800 g
Working Environment	-20°C ~ +60°C (-4°F ~ 140°F), Humidity ≤ 95% RH(non-condensing)
Ingress Protection	IP67
Vandal Resistant	IK10



© Copyright 2012–2017 Newbridge Technology Int. Ltd. The information contained herein is subject to change without notice. The only warranties for Newbridge Technology products and services are set forth in the express warranty statements accompanying such products and services. Nothing herein should be construed as constituting an additional warranty. Newbridge Technology shall not be liable for technical or editorial errors or omissions contained herein.