



### E-D2F020W3-L



## Product overview

The Newbridge E Series DOME IP Camera is a most affordable Full HD specifically design for indoor, day and night color recording with smart functionality, such as motion detection, Near Infrared light (NIR) with up to 30 frame /s at 1080p Full HD recording and give real live times viewing.

Powered by **Exmor**, Sony's high performance CMOS image sensor with high-speed processing, low noise and low power dissipation by using column parallel A/D conversion. Increase sensitivity in the near infrared range as well as the visible light range. This makes it possible to obtain clear images that enable to sufficiently discriminate subjects even under moonlit conditions.

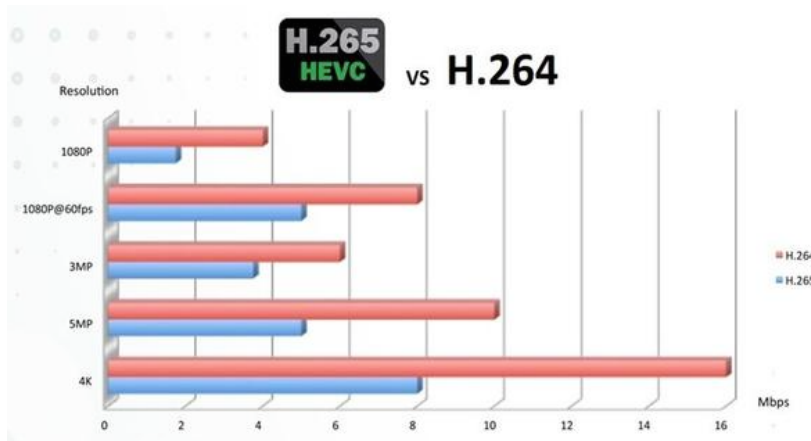
*\* Exmor is a trademark of Sony Corporation*

## Key features and benefits:

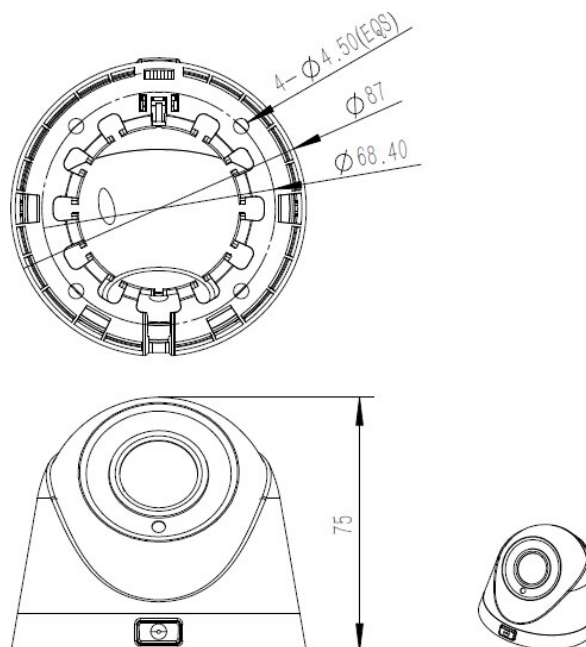
- **120dB WDR** allow clear images to be seen in light and dark areas simultaneously – rather than over exposing or under exposing various areas of scene. The following shown the WDR images.



- **H.265** compression allow further reduce the network bandwidth consumptions in transmission and take up less storage space.



- **Near-Infrared (NIR)** improve picture quality at low illumination, provide clear images even in darkness.
- **Infrared range** up to 20 meter
- 1080P up to **30fps frame rate**
- **3D NR (Noise Reduction)**
- **Triple Stream video**
- **Defog, ROI and BLC**
- **ONVIF open standard compatible.**
- Fixed lens, 2.8mm/3.6mm/6.0 mm options
- 10/100Base-T RJ 45 port with IEEE802.3af Power over Ethernet
- Audio I/O options.
- Edge Storage up to 128 GB Micro SD (options)
- IP67 rated weather proof

**Dimensions:****Specifications**

Newbridge Camera	E-D2F020W3-L28	E-D2F020W3-L36	E-D2F020W3-L60
<b>Camera</b>			
<b>Sensor</b>	1/2.9", SONY Low Illumination CMOS Sensor		
<b>Resolution</b>	2 Mega-pixel		
<b>Frame Rate/second</b>	1080p FHD up to 30 frame/s		
<b>Lens</b>	2.8 mm	3.6 mm	6 mm
<b>Angle of View (H)</b>	103°	84°	50°
<b>Shutter</b>	Auto: PAL 1/25-1/10000Sec; NTSC 1/25-1/10000Sec		
<b>Min. Illumination</b>	0 Lux with IR		
<b>Day/Night</b>	IR-cut filter with auto switch (ICR)		
<b>S/N</b>	>52 dB		
<b>WDR</b>	Optical WDR (up to 120dB)		

Newbridge Camera	E-D2F020W3-L28	E-D2F020W3-L36	E-D2F020W3-L60
<b>Video</b>			
<b>Max. Resolution</b>	1920 × 1080		
<b>Video Compression</b>	H.265, H.264, MJPEG		
<b>Frame Rate</b>	1080P (1920×1080): Max. 30 fps; 720P (1280×720): Max. 30 fps; D1 (720×576): Max. 8 fps		
<b>Video Streaming</b>	Triple		
<b>Defog</b>	Support		
<b>ROI</b>	Support		
<b>BLC</b>	Support		
<b>Privacy Mask</b>	Support		
<b>Smart</b>			
<b>Behavior Detection</b>	Motion detection		
<b>Audio</b>			
<b>Audio Compression</b>	G.711		
<b>Storage</b>			
<b>Edge Storage</b>	Micro SD, up to 128 GB		
<b>Network</b>			
<b>Protocols</b>	TCP/IP, ICMP, HTTP, HTTPS, FTP, DHCP, DNS, DDNS, RTP, RTSP, RTCP, NTP, SMTP		
<b>Compatible Integration</b>	ONVIF, API		
<b>Interface</b>			
<b>Audio I/O</b>	Optional		
<b>Edge Storage</b>	Optional, up to 128GB SD card		
<b>Network</b>	10M/100M Base-TX Ethernet, POE (IEEE802.3af)		
<b>General</b>			
<b>Housing</b>	Metal (Ball Part is Metal; External Case is Plastic)		
<b>Power</b>	DC12V±10%, 850mA		
<b>Power</b>	Power consumption: Max 5.5W		
<b>Dimensions (Ø x H)</b>	87(W) x 75(H) x 87(D)mm		
<b>Weight</b>	0.4 kg (0.88 lb)		
<b>Working Environment</b>	-20°C ~ +60°C (-4°F ~ 140°F), Humidity ≤ 95% RH(non-condensing)		
<b>Ingress Protection</b>	IP67		



---

© Copyright 2012–2017 Newbridge Technology Int. Ltd. The information contained herein is subject to change without notice. The only warranties for Newbridge Technology products and services are set forth in the express warranty statements accompanying such products and services. Nothing herein should be construed as constituting an additional warranty. Newbridge Technology shall not be liable for technical or editorial errors or omissions contained herein.